

DSG-NPS R&D Meeting Minutes

Date: April 26, 2022

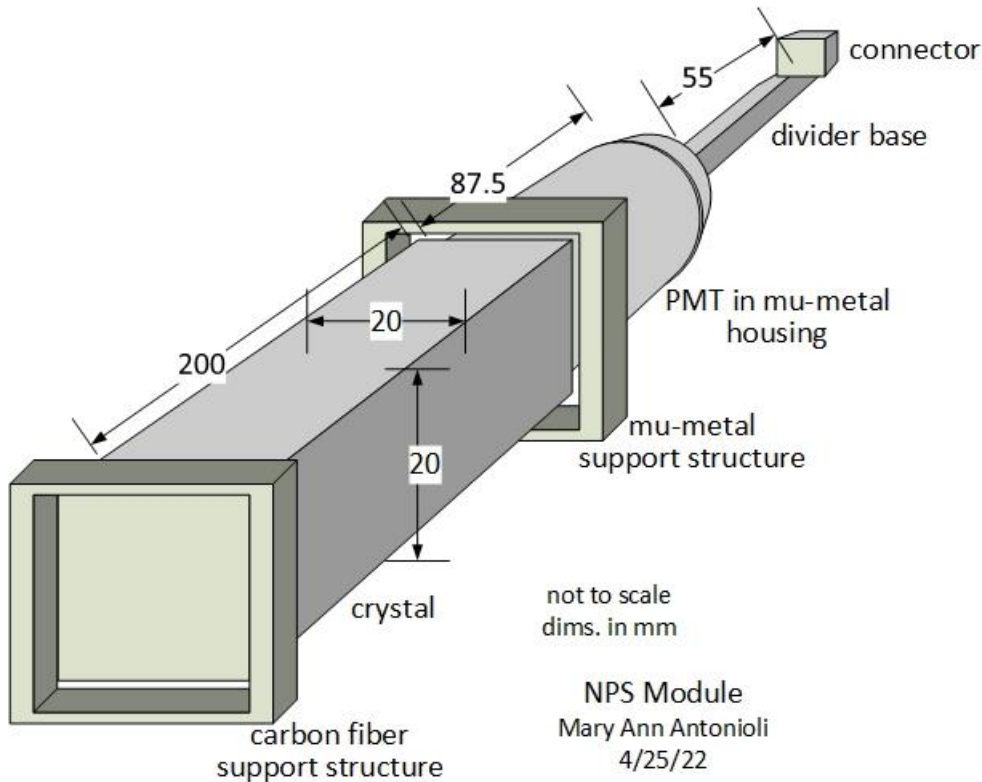
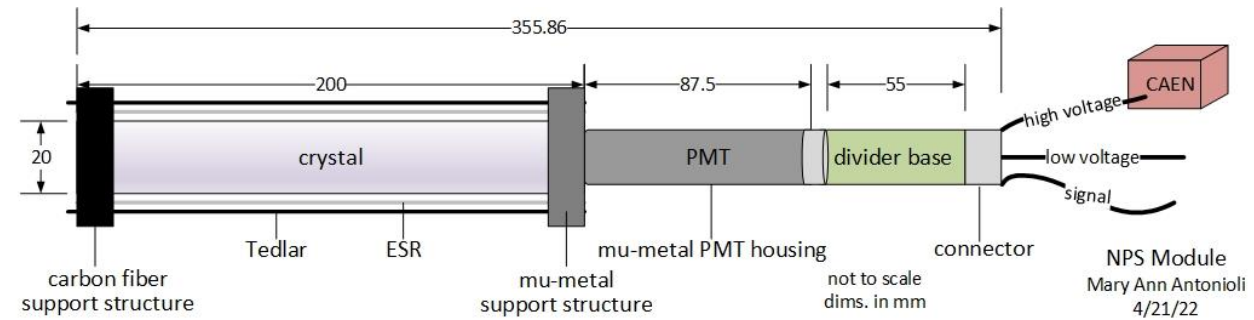
Time: 02:00PM – 03:15PM

Attendees: Mary Ann Antonioli, Peter Bonneau, Aaron Brown, Pablo Campero, Brian Eng, George Jacobs, Mindy Leffel, Tyler Lemon, Marc McMullen, and Amrit Yegneswaran

1. Hardware Interlock System Development

Mary Ann Antonioli, Peter Bonneau, Aaron Brown, and Tyler Lemon

1. Reviewed LabVIEW WBS; hardware monitoring LabVIEW program tasks will be added to WBS
2. Reviewed updated signal list
3. Reviewed sensor placement diagram by Marc McMullen
4. Crystal drawings
 - Will contact Fernando Barbosa for more accurate PMT and divider base dimensions



2. High voltage supply cable back-potting/testing

Aaron Brown, George Jacobs, and Mindy Leffel

1. Cables back-potted – 14 of 40
2. Cables tested – four of 40

